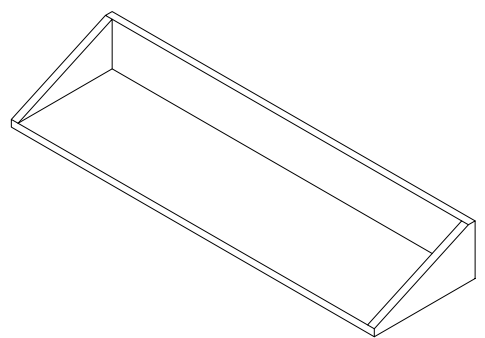
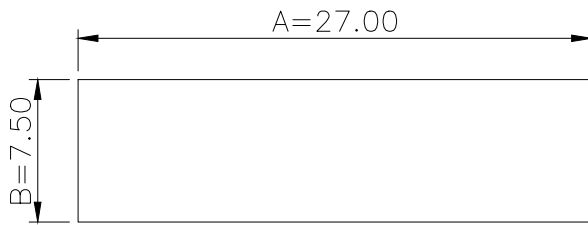
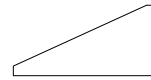
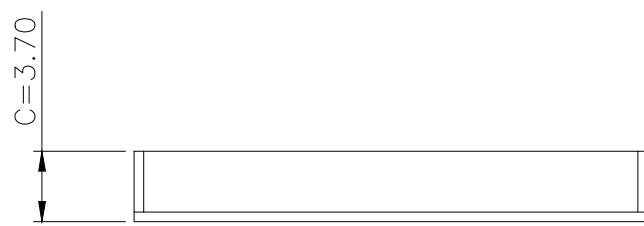



SECTION A-A  
DETAIL 2/1



④							
③							
②							
①							
MARK	REVISION NOTE			DATE	DRAWN	CHECKED	APPROVED
DRAWN	CHECKED	APPROVED	MATERIAL : PET	UL REC. : UL94V-0	THIRD ANGLE PROJ.	SCALE : 1/1	
HK, Yang	KY, Lim	JB, Lim	Z : PIN LENGTH (According to customer's request)	DATE : 2010.11.02	TOLERANCE : ±0.2 (Unless otherwise specified)	UNIT : m/m	
 주식회사 대흥보빈 DAE HEUNG BOBBIN CO., LTD			TITLE EFD 25*25 (12P) "H" CAP		DWG NO DH-101123-7048-02		